

COMPASS

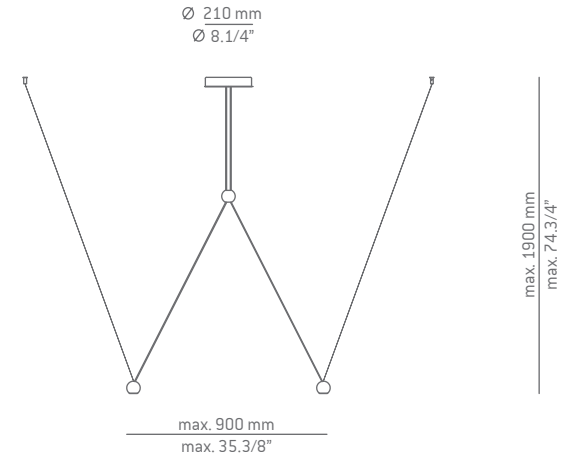
T-4074

compositions

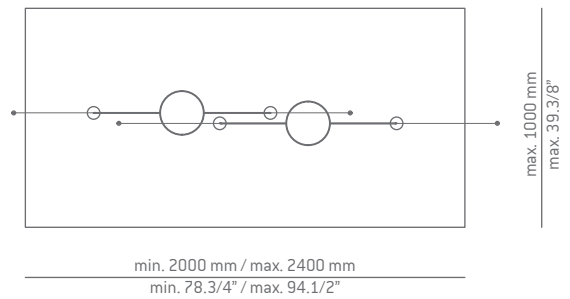
Date	Type
Project	
Location	
Model #	Quantity
Specifier	

Many possible configurations with R21S.2

Code	Composition includes										
■ R21S.2 compass	<p>1 single surface canopy 114074XX2</p> <p>2 units of T-4074C</p> <p>1 driver 671000081 / Dimmable Triac</p>										
	<table border="0"> <tr> <td style="border-right: 1px solid black;">Temperature</td> <td>Finish</td> </tr> <tr> <td style="border-right: 1px solid black;">■ W (2700K / 625 lumens)</td> <td>■ 26 BLK Black</td> </tr> <tr> <td style="border-right: 1px solid black;">■ M (3000K / 652 lumens)</td> <td>■ 55 BG Beige</td> </tr> <tr> <td></td> <td>■ 59 TC Terracotta</td> </tr> <tr> <td></td> <td>■ CUSTOM</td> </tr> </table>	Temperature	Finish	■ W (2700K / 625 lumens)	■ 26 BLK Black	■ M (3000K / 652 lumens)	■ 55 BG Beige		■ 59 TC Terracotta		■ CUSTOM
Temperature	Finish										
■ W (2700K / 625 lumens)	■ 26 BLK Black										
■ M (3000K / 652 lumens)	■ 55 BG Beige										
	■ 59 TC Terracotta										
	■ CUSTOM										



Code	Composition shape
■ 2 units of R21S.2 compass	<p>max. 1500 mm max. 59"</p>



Code	Composition shape
■ 3 units of R21S.2 compass	<p>max. 2000 mm max. 78.3/4"</p>

